



**Electrolux**  
PROFESSIONAL

**Modular Cooking Range Line  
thermaline 90 - 1000 mm Open  
base, 1 Side (H2) - H=550**

ITEM # \_\_\_\_\_

MODEL # \_\_\_\_\_

NAME # \_\_\_\_\_

SIS # \_\_\_\_\_

AIA # \_\_\_\_\_



589312 (MCIADAJOOO)

Open Base, one-side  
operated - H2

**Short Form Specification**

Item No. \_\_\_\_\_

1000 mm wide open base compartment to store pots, pans, sheet pans, etc. with hygienic design and round edges. Unit constructed according to DIN 18860\_2 with 70 mm recessed plinth. Internal frame for heavy duty sturdiness in stainless steel. Flat surface construction, easily cleanable. IPX5 water resistant certification. Configuration: One-side operated freestanding base, hygienic class H2.

**Main Features**

- Open base compartment for storage of pots, pans, sheet pans, etc.
- IPX5 water resistance certification.
- All major components may be easily accessed from the front.
- THERMODUL connection system creates a seamless work top when units are connected to each other thus avoiding soil penetrating vital components and facilitating the removal of units in case of replacement or service.
- Unit constructed according to DIN 18860\_2 with 70 mm recessed plinth.

**Construction**

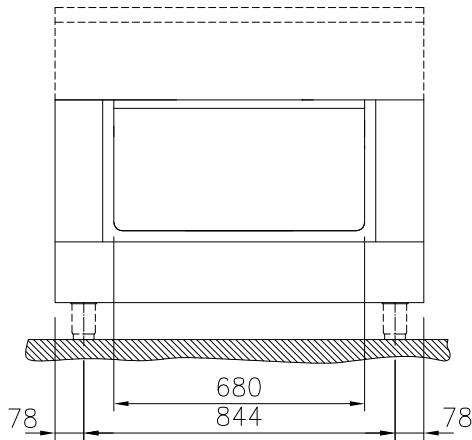
- Hygienic design of the open base compartment with large round edges.
- 2 mm top in 1.4301 (AISI 304).
- Flat surface construction with minimal hidden areas to easily clean all surfaces
- Internal frame for heavy duty sturdiness in stainless steel.

APPROVAL: \_\_\_\_\_

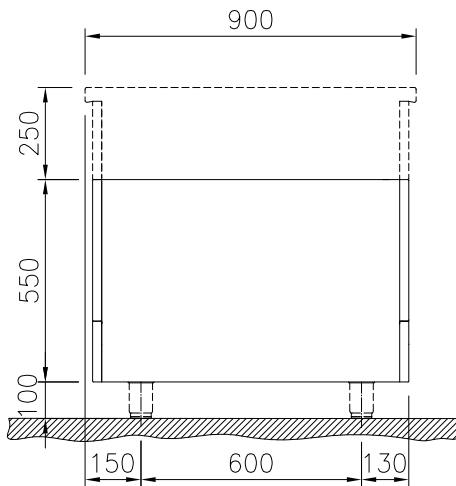


Experience the Excellence  
[www.electroluxprofessional.com](http://www.electroluxprofessional.com)

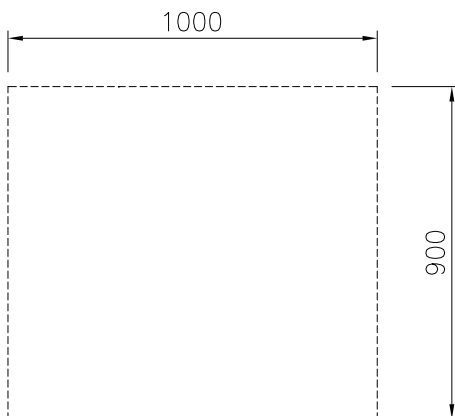
Front



Side



Top


**Key Information:**

External dimensions, Width:	
589312 (MC1ADAJ000)	1000 mm
External dimensions, Depth:	900 mm
External dimensions, Height:	550 mm
Cupboard Cavity Dimensions (width):	680 mm
Cupboard Cavity Dimensions (height):	330 mm
Cupboard Cavity Dimensions (depth):	740 mm
Net weight:	26 kg

### Optional Accessories

- Stainless steel side panel, 900x800mm, freestanding PNC 912511
  - Stainless steel front kicking strip, 1000mm width PNC 912600
  - Stainless steel side kicking strips left and right, freestanding, 900mm width PNC 912621
  - Stainless steel side kicking strips left and right, against the wall, 900mm width PNC 912624
  - Stainless steel side kicking strips left and right, back-to-back, 1810mm width PNC 912627
  - Stainless steel plinth, against wall, 1000mm width PNC 912903
  - Stainless steel plinth, freestanding, 1000mm width PNC 912922
  - Stainless steel panel, 900x800mm, against wall, left side PNC 913102
  - Stainless steel panel, 900x800mm, against wall, right side PNC 913106
  - Back panel, 1000x550mm, for bases one-side operated PNC 913184
  - Stainless steel side panel, left, H=800, flush PNC 913224
  - Stainless steel side panel, left, H=800, flush PNC 913225
  - Perforated shelf for warming cabinets and cupboard bases (one-side operated TL80-85-90 and two-side operated for TL80) PNC 913235
  - Side reinforced panel only in combination with side shelf, for freestanding units PNC 913259
  - Side reinforced panel only in combination with side shelf, for against the wall installations, left PNC 913268
  - Side reinforced panel only in combination with side shelf, for against the wall installations, right PNC 913270
  - Side reinforced panel only in combination with side shelf, for back-to-back installations, left PNC 913277
  - Side reinforced panel only in combination with side shelf, for back-to-back installation, right PNC 913278
  - Shelf fixation for TL80-85-90 one-side operated, TL80 two-side operated PNC 913283
  - Stainless steel dividing panel, 900x800mm, (it should only be used between Electrolux Professional thermaline Modular 90 and thermaline C90) PNC 913673
- Stainless steel side panel, 900x800mm, flush-fitting (it should only be used against the wall, against a niche and in between Electrolux Professional thermaline and ProThermetic appliances and external appliances - provided that these have at least the same dimensions) PNC 913689